

CAMPUS CONNECTIONS

A Newsletter for Burman University

Thursday, 23 November 2023

Free Pie!



**ON THURSDAY, NOVEMBER 23
FREE PUMPKIN or APPLE PIE**

TO ALL BURMAN STUDENTS,
FACULTY AND STAFF
AT THE CAFETERIA 11:30 AM - 12:30 PM
(PLEASE NOTE, ONE PIECE PER PERSON)

HAPPY AMERICAN THANKSGIVING!

from Student Services



Week at a Glance

Sunset: 4:31 pm

Friday, November 24 @ 7:30 pm

CAYA

Speaker: Pastor Massiel
College Church

SABBATH

First Service 9:15 AM

Speaker: Pastor Orlando Pule
Here's My Worship

SABBATH SCHOOL 10:30 AM

Working Together Makes a Better World
by Eric Rajah and Friends

UNIVERSITY SABBATH SCHOOL 11:00 am

Admin Chapel

Ignite 12:00 PM

Speaker: Pastor Massiel

Coming up....

Saturday evening @ 7 pm

Burman University
Camerata Ensemble & Chamber Orchestra
College Heights Church

Tuesday, @ 11

PowerUp
Admin Chapel

Wednesdays @ 11 AM - 1 PM

Drop-in Counselling with
Tamara van Rensburg

IMPORTANT ACADEMIC DATES

November 24 November 24 Last day to withdraw from any second 1/2 term course without incurring an F grade

December 5 Last day of classes

See [Academic Dates](#) for further information.

CAMPUS MINISTRIES
PRESENTS

CAYA

COME AS YOU ARE

WITH PASTOR MASSIEL

FRIDAY, NOVEMBER 24
COLLEGE HEIGHTS | 7:30 PM

TEA AND COOKIES WILL BE
SERVED AT 7!

CAMPUS MINISTRIES PRESENTS A

LOVE FOR THE GAME

WITH DENNALIA & COACH FERGIE

SATURDAY, NOVEMBER 25
ADMIN CHAPEL | 4 PM

COME AND CLOSE THE SABBATH
WITH US AND THE U-EXPERIENCE &
NORTHERN CLASSIC PARTICIPANTS!

BURMAN
UNIVERSITY
CAMERATA
ENSEMBLE
&
CHAMBER
ORCHESTRA

FALL CONCERT
NOVEMBER 25 • 2023
7:00PM • CHC

BURMAN
UNIVERSITY

November 30,
2023

Business Speaker Series

“Financial Stability - How it Can Change your Life”

7:00 - 8:00 PM

M 117 McKibbin Centre
Burman University

Register
www.burmanu.ca/speakerseries
busreception@burmanu.ca
403-782-3381 X 4095

Do you wish to have financial stability?
Of course you do! Join us as we listen to
the personal journey of Sharon and
Breeann Burghardt as they share the
keys to obtaining financial stability. You
cannot afford to miss this! See you
there!



Sharon Burghardt
Personal Finance Guru



Breeann Burghardt, CPA
Alberta Financial Services

<https://www.youtube.com/@burmanusmallbusinesscentre7016>

MEN'S BRACKET

Thursday - November 23, 2023

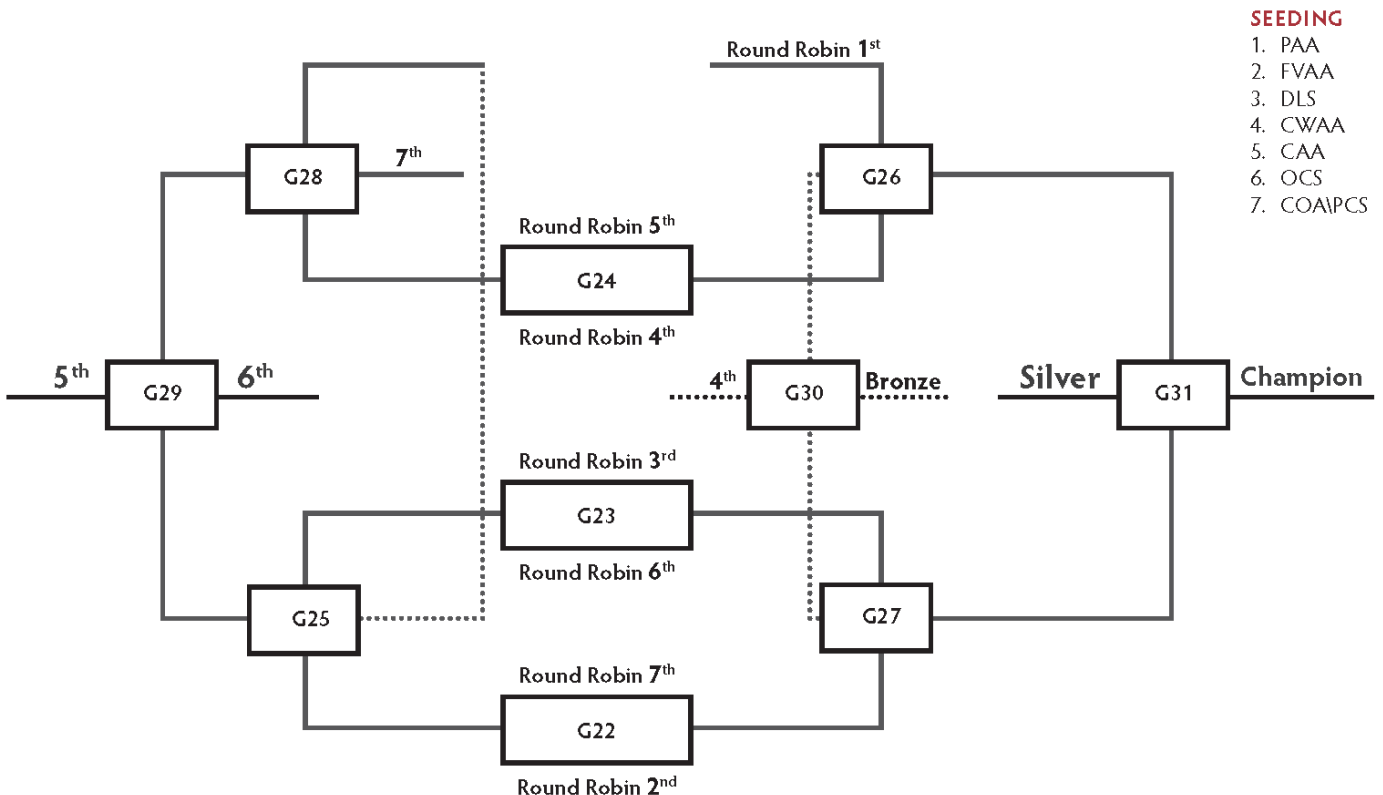
| THURSDAY | Burman PE Centre - Court #2 | PAA | CHCS |
|---------------|-----------------------------|--------------------|---------------------|
| 6:00-7:00 PM | G1 PAA vs COA/PCS | G2 FVAA vs OCS | G3 DLS vs CAA |
| 7:00-8:00 PM | G4 COA/PCS vs OCS | G5 PAA vs CAA | G6 FVAA vs CWAA |
| 8:00-9:00 PM | G7 PAA vs DLS | G8 COA/PCS vs CWAA | G9 OCS vs CAA |
| 9:00-10:00 PM | G10 CAA vs CWAA | G11 OCS vs DLS | G12 COA/PCS vs FVAA |

Friday - November 24, 2023

| FRIDAY | Burman PE Centre - Court #1 | Burman PE Centre - Court #2 | PAA |
|----------------|-----------------------------|-----------------------------|--------------------|
| 8:30-9:30 AM | G13 OCS vs PAA | G14 CAA vs FVAA | G15 CWAA vs DLS |
| 9:30-10:30 AM | G16 DLS vs FVAA | G17 CWAA vs PAA | G18 CAA vs COA/PCS |
| 10:30-11:30 AM | G19 CWAA vs OCS | G20 DLS vs COA/PCS | G21 FVAA vs PAA |
| LUNCH | | | |
| 12:30-1:30 AM | G22 | G23 | |
| | Playoff - 2nd vs 7th | Playoff - 3rd vs 6th | |
| 1:30-2:30 PM | G24 | G25 | |
| | Playoff - 4th vs 5th | Playoff - L G22 vs L G23 | |
| 2:30-3:30 PM | G26 | G27 | |
| | Playoff - 1st vs W G24 | Playoff - W G22 vs W G23 | |

Saturday - November 25, 2023

| SATURDAY | Burman PE Centre - Centre Court | Burman PE Centre - Court #2 |
|--------------|---------------------------------|---|
| 5:00-6:00 PM | | G28 |
| | | Playoff - L G25 vs L G24 |
| 6:00-7:00 PM | | G29 |
| | | Playoff - W G25 vs W G28 |
| 7:00-8:00 PM | | G30 |
| | | Playoff - L G26 vs L G27 |
| 8:30 PM | | |
| 10:00 PM | G31 | Championship Game Centre Court - W G26 vs W G27 |



WOMENS BRACKET

| Thursday - November 23, 2023 | | |
|------------------------------|-----------------------------|-------------|
| THURSDAY | Burman PE Centre - Court #1 | |
| 6:00-7:00 PM | G1 | PAA vs OCS |
| 7:00-8:00 PM | G2 | DLS vs CWAA |
| 8:00-9:00 PM | G3 | PAA vs FVAA |
| 9:00-10:00 PM | G4 | CWAA vs OCS |

SEEDING

1. PAA
2. DLS
3. FVAA
4. CWAA
5. OCS

| Friday - November 24, 2023 | | |
|----------------------------|-------|--------------|
| FRIDAY | CHCS | |
| 8:30-9:30 AM | G5 | FVAA vs DLS |
| 9:30-10:30 AM | G6 | CWAA vs FVAA |
| 10:30-11:30 AM | G7 | OCS vs DLS |
| 11:30-12:30 AM | LUNCH | |
| 12:30-1:30 AM | G8 | CWAA vs PAA |
| 1:30-2:30 PM | G9 | FVAA vs OCS |
| 2:30-3:30 PM | G10 | DLS vs PAA |

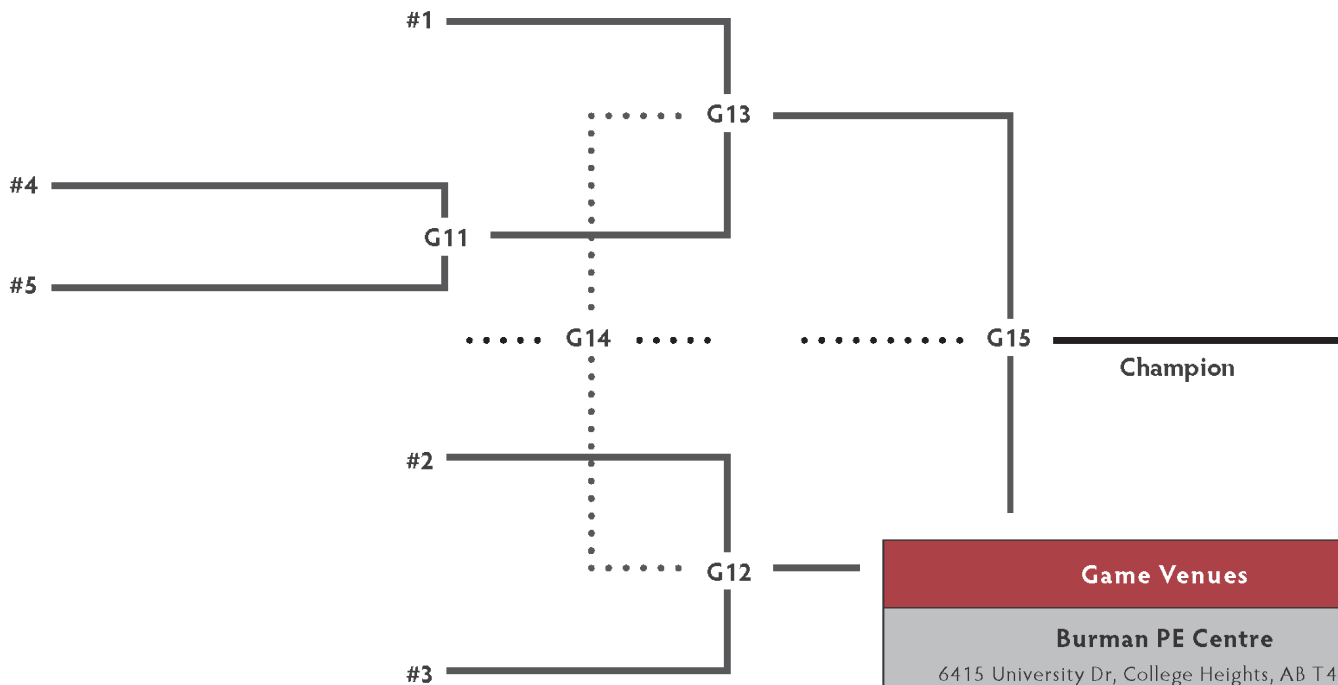
- *All matches are best out of 3, third game to 15 pts, Championship Match best out of 5, 5th game to 15pts

- *Cap on first 2 games at 27pts, third game open (except Championship Games)

- *Tie Break - match, then sets, then ratio of points for and against

| Saturday - November 25, 2023 | | | | |
|------------------------------|-----------------------------|----------------------------------|-----|------------------|
| SATURDAY | Burman PE Centre - Court #1 | | PAA | |
| 5:00-6:00 PM | G12 | Playoff Game #12 | G11 | Playoff Game #11 |
| 6:00-7:00 PM | G13 | Playoff Game #13 | | |
| 7:00-8:00 PM | G14 | Playoff Game #14 | | |
| 8:30 PM | G15 | Championship Game - Centre Court | | |

- *FIVB rules: http://www.fivb.org/EN/Refereeing-Rules/RulesOfTheGame_VB.asp



| Game Venues |
|--|
| Burman PE Centre 6415 University Dr, College Heights, AB T4L 2A8 |
| Parkview Adventist Academy 5102 College Ave, Lacombe, AB T4L 1Z2 |
| College Heights Christian School 5201 College Ave, College Heights, AB T4L 1Z6 |



SUNDAY AT 4 CONCERT SERIES

presents

Roman Rabinovich

Concert Pianist

Immerse yourself in breath-taking musical beauty, as international concert pianist Roman Rabinovitch performs the epic Goldberg Variations of J.S. Bach. Bach's transformation of a simple "aria" into 30 variations shows his profound genius for musical creativity. Rabinovitch performs the Goldberg Variations on the University's exquisite Steinway 9-foot concert grand piano. Be part of this rare musical experience!



Sunday, November 26th, 2023

at 4:00 pm

College Heights SDA Church

Burman University campus, Lacombe, AB

General admission \$25 Adult (18 and over)

\$15 Seniors (65 and over)

\$10 Youth/Student (with valid student ID)

FREE for BU students/staff/faculty & immediate family

www.burmanu.ca/sundayat4

BURMAN UNIVERSITY CHORAL UNION

wendolin pazitka-munroe, director
nicole bartolay, accompanist

presents

THE WISE STILL SEEK HIM

a tale of sacrifice and redemption



DECEMBER 1, 2023 - 7:30 PM
DECEMBER 2, 2023 - 4:00 PM

COLLEGE HEIGHTS
SEVENTH-DAY ADVENTIST CHURCH

Teacher: How old is your father?
Kid: He is 6 years.
Teacher: What? How is this possible?
Kid: He became father only when I was born.
(Logic!! Children are quick and always speak their minds.)

TEACHER: Maria, go to the map and find North America.
MARIA: Here it is.
TEACHER: Correct. Now, Class, who discovered America?
CLASS: Maria.

TEACHER: Glenn, how do you spell 'crocodile'?
GLENN: K-R-O-K-O-D-I-A-L'
TEACHER: No, that's wrong
GLENN: Maybe it is wrong, but you asked me how I spell it.
(I love this child.)

TEACHER: Donald, what is the chemical formula for water?
DONALD: H I J K L M N O.
TEACHER: What are you talking about?
DONALD: Yesterday you said it's H to O.

TEACHER: Clyde, your composition on 'My Dog' is exactly the same as your brother's. Did you copy his?
CLYDE: No, sir; It's the same dog.
(I want to adopt this kid!!!)

TEACHER: Harold, what do you call a person who keeps on talking when people are no longer interested?
HAROLD: A teacher.

PASS THIS AROUND AND MAKE SOMEONE LAUGH!
LAUGHTER IS THE SOUL'S MEDICINE!!

THE CENTRAL ALBERTA CHAMBER ORCHESTRA, MEMBERS OF THE BURMAN UNIVERSITY STRING ORCHESTRA
AND THE RED DEER YOUTH AND COMMUNITY ORCHESTRA
PRESENTS

A CHARLIE BROWN™ Christmas CONCERT



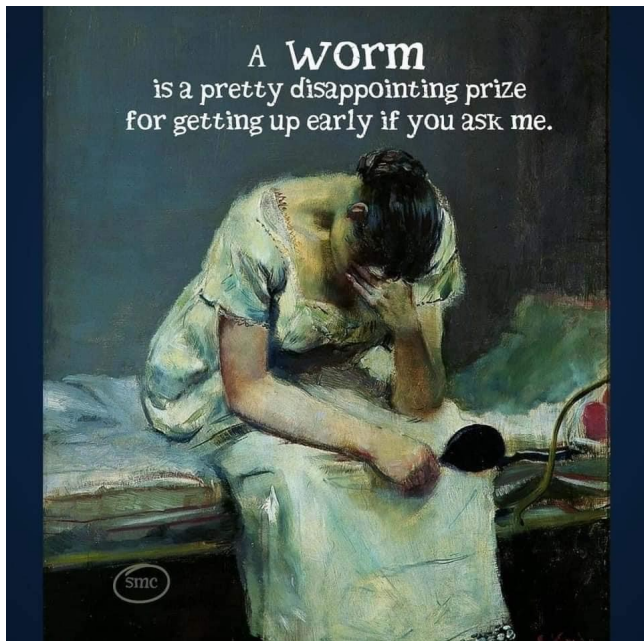
Friday, December 15, 2023 @ 7:00 pm
Lutheran Church of the Good Shepherd 40 Holmes Street in Red deer

Saturday December 16, 2023 @ 2:00 pm
Ponoka United Church

Sunday December 17, 2023 @ 2 pm
Innisfail; Public Library

Tickets for Red Deer and Innisfail are available at [Eventbrite.ca](https://eventbrite.ca)
Tickets for Ponoka are available at kfatheatre.com

A **Worm**
is a pretty disappointing prize
for getting up early if you ask me.



SIMC

The Larry and Denise

HERR LECTURES

CLARA HUGHES

Open Heart, Open Mind

November 27, 2023 | 7:00 pm

Lacombe Memorial Centre

FREE ADMISSION



COMMUNITY WINTER INITIATIVE

Those experiencing homelessness in Red Deer are in need of hot meals and pillows that can withstand the winter weather.

Donations can be placed in the tithe envelope and marked *WINTER INITIATIVE. We will be taking donations till December 16.